



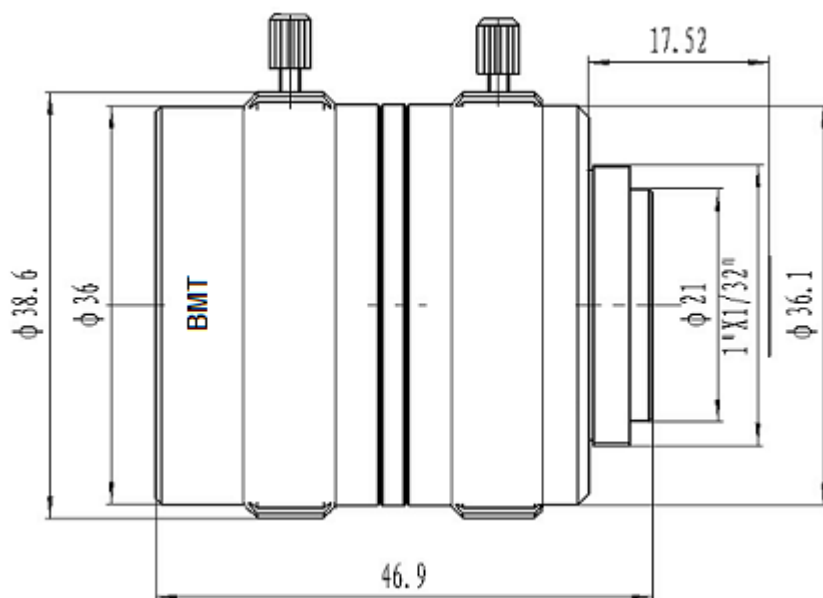
2/3" Mega Pixel Camera Lens BMT-16255MP



Key Highlights

Release Version: V1.0-JULY-14

- 2/3" imager format High performance C-Mount camera lens
- Very Low distortion
- Highly compact
- Iris & Focus locking screws
- 12 Month warranty
- Made of Metal



Model No	BMT-16255MP	
Resolution	5 MP	
Focal Length	25 MM	
Iris Range	F# 1.6	
Lens Mount	C-Mount	
Imager Format	2/3"	
Angle of View	D (25°) x H (20°) x V (18°)	
Lens Structure	7 Elements, 5 Groups	
Spectral Transmission	485~649nm , > 82%	
MOD	0.5 M	
Control	Focus	Manual
	Iris	Manual
Back Focal Length	12 MM	
Working Temperature (degree celcius)	-10~+50	
Weight	110 gm	

Europe Business

BlueVision Technologies Europe GmbH (BVT)
(A Unit of B.B. Group of Companies)

Office: Einsteinstraße 28 | 85521 Ottobrunn |
Germany

Email: sales@bluevision-technologies.com

Website: <http://www.bluevision-technologies.com/>

India Business

BalaJi MicroTechnologies Pvt. Ltd (BMT)
(A Unit of B.B. Group of Companies)

Corporate Headquarter—New Delhi, India

Sales Office: D-2/20, Sector 10 | DLF Faridabad-121006
| Haryana, **INDIA**

Tel # +91-129-4006203 , +91-129-6561300

India: sales.india@balaji-microtechnologies.com

overseas: sales.overseas@balaji-microtechnologies.com

Website: <http://www.balaji-microtechnologies.com/>