



1" FA 5 MEGA PIXEL LENS SERIES BMT-1625M5

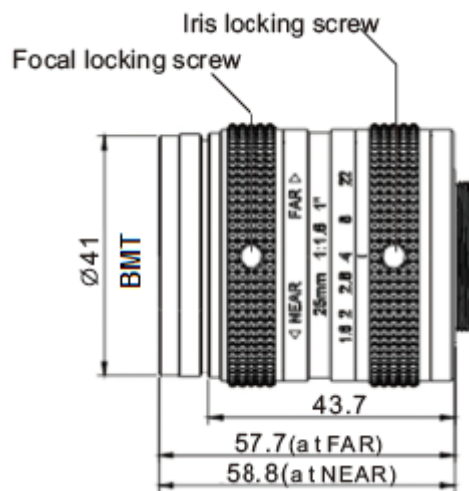


Release Version: V1.0-MAR-14



Key Highlights

- “BMT” is trademark of “Balaji MicroTechnologies Pvt. Ltd.”
- 1" imager format High performance mega-pixel C-Mount camera lens
- Very Low distortion
- Highly compact
- Iris & Focus locking screws
- Made up of metal



Model No		BMT-1625M5
Resolution		5 MP
Focal Length		25 MM
Iris Range		F1.6-F22
Lens Mount		C-Mount
Imager Format		1"
Field of View	1"	36.2° × 29° × 21.8°
	2/3"	25° × 20° × 15°
Control	Focus	Manual
	Iris	Manual
Distortion	1"	-2.05% @ y=8mm
	2/3"	-0.97% @ y=5.5mm
back focal length		12.7 mm
Filter Thread		M33.7×0.5mm
Working Temperature (degree celcius)		-10~+50
Weight		149 gm

Europe Business

BlueVision Technologies Europe GmbH (BVT)
(A Unit of B.B. Group of Companies)

Office: Einsteinstraße 28 | 85521 Ottobrunn |
Germany

Email: sales@bluevision-technologies.com

Website: <http://www.bluevision-technologies.com/>

India Business

BalaJi MicroTechnologies Pvt. Ltd (BMT)

(A Unit of B.B. Group of Companies)

Corporate Headquarter—New Delhi, India

Sales Office: D-2/20, Sector 10 | DLF Faridabad-121006
| Haryana, INDIA

Tel # +91-129-4006203 , +91-129-6561300

India: sales.india@balaji-microtechnologies.com

overseas: sales.overseas@balaji-microtechnologies.com

Website: <http://www.balaji-microtechnologies.com/>