



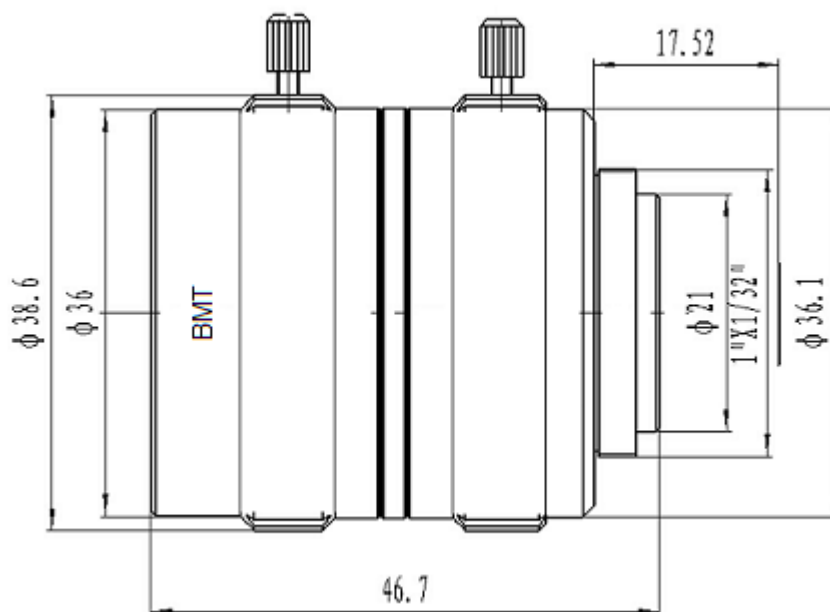
## 2/3" MegaPixel Camera Lens BMT-18355MP



Release Version: V1.0-JULY-14

### Key Highlights

- 2/3" imager format High performance C-Mount camera lens
- Very Low distortion
- Highly compact
- Iris & Focus locking screws
- 12 Month warranty
- Made of Metal



Model No	BMT-18355MP	
Resolution	5 MP	
Focal Length	35 MM	
Iris Range	F# 1.8	
Lens Mount	C-Mount	
Imager Format	2/3"	
Angle of View	D (18°) x H (14.4°) x V (10.8°)	
Lens Structure	6 Elements, 4 Groups	
Spectral Transmission	485~580nm	
MOD	0.5 M	
Control	Focus	Manual
	Iris	Manual
Back Focal Length	12.7 MM	
Working Temperature (degree celcius)	-10~+50	
Weight	110 gm	

### Europe Business

BlueVision Technologies Europe GmbH (BVT)  
(A Unit of B.B. Group of Companies)

Office: Einsteinstraße 28 | 85521 Ottobrunn |  
Germany

Email: [sales@bluevision-technologies.com](mailto:sales@bluevision-technologies.com)

Website: <http://www.bluevision-technologies.com/>

### India Business

BalaJi MicroTechnologies Pvt. Ltd (BMT)  
(A Unit of B.B. Group of Companies)

Corporate Headquarter—New Delhi, India

Sales Office: D-2/20, Sector 10 | DLF Faridabad-121006  
| Haryana, INDIA

Tel # +91-129-4006203, +91-129-6561300

India: [sales.india@balaji-microtechnologies.com](mailto:sales.india@balaji-microtechnologies.com)

overseas: [sales.overseas@balaji-microtechnologies.com](mailto:sales.overseas@balaji-microtechnologies.com)

Website: <http://www.balaji-microtechnologies.com/>